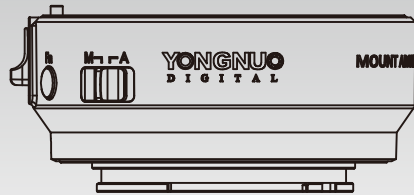


# MOUNT ADAPTER EF-E II



Before using this product, please read this instruction manual thoroughly to learn product function and proper use. Keep this manual properly for reference in the future.

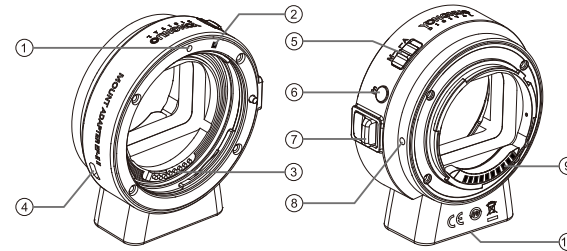
## Thanks for choosing YONGNUO products!

YONGNUO smart adapter mount EF-E II is a smart adapter specially developed for adapting EF/EF-S lens to E mount camera. For this smart adapter carries electronic contact, the auto-focusing function, auto-exposure function and other function of the lens can be achieved.

## Announcements

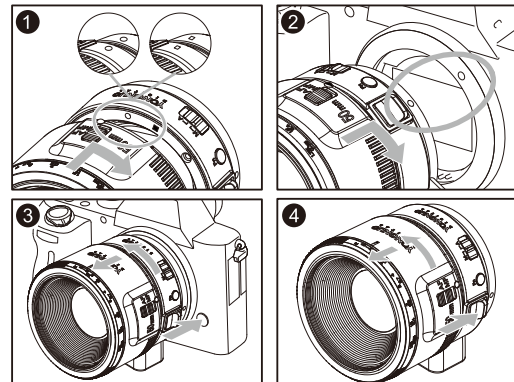
- ★ When the lens being used is heavier than the camera, please hold the lens steadily.
- ★ After removing adapter, please put on the front cover and rear cover to protect the electronic contact.
- ★ Scratch, dirty mark or fingerprint may lead to bad communication or corrosion, and result in adapter malfunction. If the electronic contact gets dirty, please wipe it with soft cloth.
- ★ After adapted by this smart adapter, the closest focusing distance of the lens will be extended slightly, the maximum amplification factor and the view angle will be different.
- ★ When using this smart adapter, please press the switch on the lens to set the lens function. If the settings of the camera is different from the settings of the lens, the settings of the lens shall prevail.
- ★ After this smart adapter is mounted, if the state of the camera is abnormal, please try to turn off the power supply of the camera, remove the batteries for a while, put the batteries back in and turn on the camera again. If the situation remains unchanged, please contact YONGNUO customer service at 400-001-3888 or write email to service@hkyongnuo.com.

## Components



- ① EF lens installation sign
- ② EF-S lens installation sign
- ③ Electronic contact (lens-end)
- ④ USB Port
- ⑤ Focus System select switch
- ⑥ Fn Multi-function button
- ⑦ Lens release lever
- ⑧ Camera installation sign
- ⑨ Electronic contact (camera-end)
- ⑩ Tripod stand slot

## Installation & Remove Instruction of the Adapter



### ● Installation

1. Turn the camera off.
2. Install the lens on the adapter. ①  
Align the installation sign on the lens to the installation sign on the adapter, and rotate the lens clockwise until a "click" sound is heard.
3. Install the lens with smart adapter on the camera. ②  
Align the installation sign on the adapter to the installation sign on the camera, and rotate the adapter clockwise until a "click" sound is heard.

### ● Remove

1. Turn the camera off.
2. Remove the lens with smart adapter from the camera. ③  
At the same time when you press the lens release button on the camera, rotate the smart adapter counterclockwise until it stops rotating, and then remove the adapter.
3. Remove the adapter from the lens. ④  
At the same time when you press the lens release lever on the adapter, rotate the lens counterclockwise until it stop rotating, and then remove the lens

## Select Focus System

This product provides two focus system for selection: AF focus system, and mixed-focus system. Only when the camera supports, these two system can work normally. For details please refer to the user manual of the camera.

Setup method: set the focus system select switch to A or M, 'A' means AF focus system, 'M' means Mixed-focus system.

After switching the focus system, the camera power should be restarted or the lens should be disassembled once, otherwise the switching operation may be invalid.

**AF focus system** :With AF focus system, you can select focus mode from [AF SYSTEM] menu of the camera: Phase Detection AF (PDAF)/Contrast Detection AF (CDAF).

**Mixed-focus system** :With mixed-focus system, the adapter will match the focus mode of the camera automatically. When mixed-focus system is enabled, if there is PDAF distance measuring point in the auto-focus range in use, the camera will mix PDAF and CDAF and focus automatically.

## Firmware Upgrade

1. Turn the camera off, and remove the adapter from the camera and lens.
2. Open the upgrade software.
3. Connect the adapter to computer with USB cable.
4. Select the firmware according to the hint.
5. Click <Upgrade> button to update the firmware.
6. When the upgrade finished, unplug USB cable.

## Fn Multi-function Button

Fn multi-function button is temporarily unreleased. More related function will be released by firmware upgrade. Please pay attention to the official announcement from YONGNUO to get the latest information.

## Specification

Lens compatible	EF/EF-S series Lens
Camera compatible	E mount camera
External Port	USB Port
Tripod stand slot	CU1/4"
Maximum diameter & length	76.5×31mm
Weight	approx. 99.8g

The functions on this manual are obtained based on the test conditions of our company. Further notice will not be given if there are any changes for the design and specification. The YONGNUO logo on this manual is registered trademark or trademark owned by SHENZHEN YONGNUO PHOTOGRAPHIC EQUIPMENT Co., Ltd. in China or other countries (regions). All other trademarks are the property of their respective owners.