

YONGNUO
DIGITAL

YN717A

Wifi Controller for DSLR Camera

User Guide

Thanks for purchasing Yongnuo products.

The YN717A can turn the preview images, control menu, taken pictures and video of the Canon, Nikon SLR camera, through the WiFi transfer to mobile phone, so as to realize mobile remote viewing and control of SLR cameras. Please read the instructions carefully before using to get a better user experience.

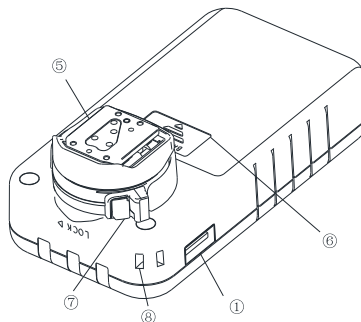
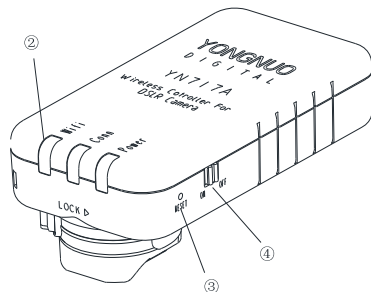
Product packing list

- 1 x YN717A Wifi Controller
- 1 x Mini USB cable
- 1 x User Guide

Notice

1. Due to the current is large when using the product, please do not use the dry cell. It is suggested to use the nickel-hydrogen rechargeable batteries or alkaline batteries.
2. Please remove the battery when it will idle for a long time.

I. Part description



- ① USB interface: Connect to the camera via USB cable.
- ② LED Indicators:

Power: The green light keep on indicates the power source is normal, the red light flicker indicates the low power and recommended replacement of battery.

Conn: The orange light flicker indicates the mobile phone is connecting, the orange light keep on indicates successful connection between the phone and wifi controller.

WiFi: The yellow light flicker indicates the wifi is setting up and will keep light on when the start is completed.

- ③ RESET: short press for reset, long press 5 seconds for restore factory settings
- ④ Power Switch: ON--turn on; OFF--turn off.
- ⑤ Hot shoe plug: It could mount on the camera hot shoe and rotate the locking ring counterclockwise to lock. When unlocking, press the bulge button on the switch and rotate the locking ring clockwise.
- ⑥ Battery Pack:
Install 3 pieces of No. 5 nickel-hydrogen rechargeable batteries or alkaline batteries.
- ⑦ Hot Shoe Locking press button

II. Device Installation

1. Install the WiFi Controller APP

Install the YN WiFi controller APP in the following three ways, supports Apple and Android platform.

- ① Access on your mobile phone:
<http://www.hkyongnuo.com/s-detail.php?ID=398>
- ② Search YN717A on the APP Store
- ③ Scan the following QR code to get the APP.

IOS:



Android:



2. Connect the device to the DSLR camera

Use the USB cable and connect the device to the DSLR, turn on the camera and device respectively. (The product come with the Mini USB cable is suitable for most of the DSLR. If not suitable please use the specialized USB cable come with the DSLR.)

3. Connect the WiFi hotspot of the device

Open the device and wait for the wifi light keep on when the setup is completed, search the wifi hotspot on the smart phone and connect it. The name is wifi hotspot is begin with "YN717A_XXXXXX". For the default wifi name please see the battery cover back.

4. Operate the APP

After the hotspot connected successfully, open the APP on the smart phone, click the LIVE button of the APP interface, you can open the LIVE image transmission. (This feature will consume a lot of power, please close when not necessary. For details please check the user manual in the APP Settings option.)

III. Troubleshooting

1. The device can not be started or the phone could not connect to the device.

Please check if the battery with electricity. Long press the Reset button for 5 seconds will restore factory settings. If it still not work please contact to the service center.

2. APP could not connect to the camera.

Please check if the wiring is without problem, and confirm your DSLR camera model is in the compatible list.

3. Stuck in the live transmission

The WiFi suggested range of the device is 30 meters (without occlusion), please make sure use in this range.

The most updated manual can be downloaded from www.hkyongnuo.com.

The functions of this manual are based on the test conditions of our company. Further notice will not be given if the design and specifications change.

Address: Building A, Shenfubao modern optics factory,
Kengzi Street, Pingshan District, Shenzhen.

TEL: (086) 0755-8376 2448

FAX: (086) 0755-8376 2765

Email: service@hkyongnuo.com

Website: www.hkyongnuo.com

Service Hotline: 400-001-3888