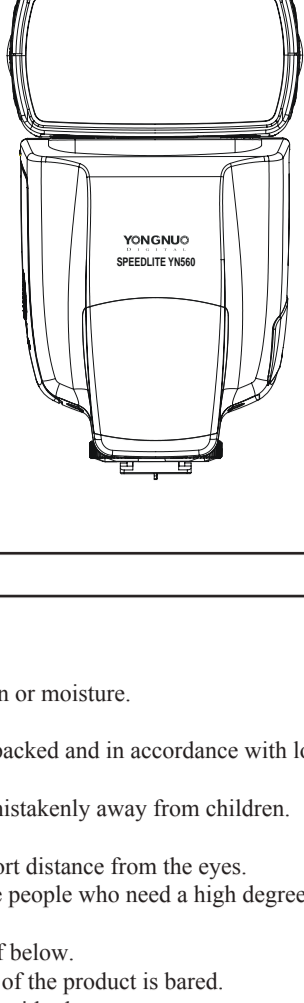


YN560

USER MANUAL



Before use, please READ this user manual carefully in order to ensure your safety. Keep it properly for reference in the future.

I. Warning

To avoid fire or electrical shock, do not expose this product to rain or moisture.
Do not flash at high level output continuously for over 15 minutes.
To avoid short circuit, be sure the batteries contacts are securely packed and in accordance with local provision when handling the batteries.
Please place the battery and the parts which can be swallowed mistakenly away from children.
Contact a doctor immediately when it occurs.
To avoid possible injury to eyes, do not use the flash light in a short distance from the eyes.
To avoid possible safety accident, do not use the flash light on the people who need a high degree of attention.
Please take out the batteries and shock using immediately in case of below.
● This product is dropped or stepped seriously and the inner part of the product is broken.
● If the battery leaks corrosive liquids, please take out the battery with gloves.
● The product gives off strange smell, smokes or heats.
Do not disassemble or maintain this product. Touching the internal high voltage circuit will cause electric shock.
Remove batteries during long periods of non-use.

-1-

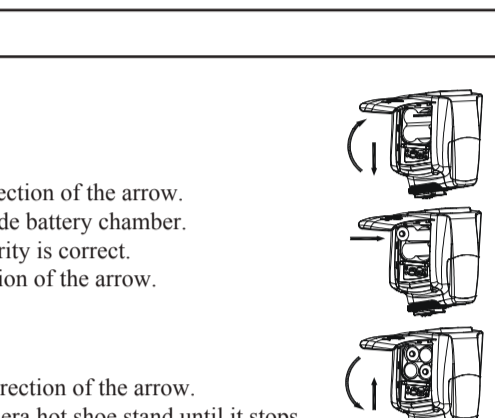
II. Features

YN560 is a brand-new flash specially designed for professional creative photography. Compared with YN460-II and YN460, it has the following brand-new features:
● **Brand-new appearance:** The brand-new appearance looks more beautiful, credible, comfortable and professional.
● **New power zoom function:** By pushing the buttons on the flash, it can make the flash covered focal length range from 24 to 105mm.
● **GN58 @ ISO100, 105mm:** YONGNUO gives YN560 a higher guide number which reaches the level of the mainstream hot shoe flashes.
● **The improved wireless triggering sensor:** YONGNUO improves the wireless triggering sensor for YN560, which makes the S1 and S2 mode can be used in outdoor environment and the wireless triggering distance is as long as 15m.
● **Sound indicator:** When the charging process is finished, the flash will give a tick sound, so you may concentrate on the creation process. (Note: the sound can be closed).
● **New charging socket for external power pack:** YN560 adds a charging socket for external power pack, to meet your higher demand for charging recycle.
● **New PC synchronous port:** YN560 adds a standard PC synchronous port, which makes it simpler for you to use the PC synchronous line.
● **Super speed of charging recycle:** It only takes 3 seconds in charging after full power output. Even without new batteries, you can get the super charging speed that it only needs 4-5 seconds; so you can completely get rid of the nightmare of anxious waiting for charging. In addition, you can use the external power pack to accelerate the charging speed once more.
● **Supporting high-speed continuous shooting:** Under the output level of 1/8 or below, YN560 can support the 8FPS high-speed continuous shooting.
● **The improved power saving mode:** YONGNUO designs the power saving mode for YN560. In the power saving mode, the flash will get automatic shutdown sooner, in the non-saving mode, it will take a longer time before automatic shutdown.
● **The more fine output control:** The output control of YN560 is more fine, which ranges from 1/128 to 1/1 and each class of flash output has 8 small fine tuning stalls. With its zooming flash head, YN560 makes you nearly achieve your anticipant lighting effect.
● **The automatic setting saving:** YN560 can automatically save your current setting.

-2-

III. Nomenclature (Please read this part carefully, so you can soon be familiar with the product)

1. Reflection board
2. Wide-angle diffuser
3. Flash light's head
4. External power pack socket
(It can be connected to the SF-18C or SF-17C external power pack)
5. PC port (for input)
6. Contact cover
7. Battery chamber's cover
8. Optical control sensor
9. Locking ring
10. Hot shoe pin
11. Hot shoe stand



-3-

12. **Mode indicator (M, S1, and S2):** It indicates the current flash mode.
13. **Output level indicator:** It can regulate the output power by setting the button; there are 8 levels for output level adjustment. It indicates the output power and the fine-tuning; it indicates the coverage of the current focal length when adjusting the focal length.

-4-

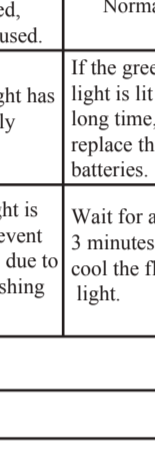
14. **The sound switch:** A short press will enable or disable the sound indicator; hold the button to turn on or turn off the power saving mode.
15. **Mode switch button:** The mode of the flash light will be switched among the M/S1/S2 in circle for each press.
16. **Charging indicator / Test button:** The lighting of red light shows that charging process is finished and flash can be used; the lighting of green light shows that it is in charging or a shortage of power; the alternate flashing of the red and green lights shows overheating protection. If you press this test button (PILOT), the flash will give a test flash.
17. **Power Save indicator:** A long-time lighting indicates that the power saving mode is disabled; a long-time non-lighting indicates that the power saving mode has been enabled; when the power saving mode is enabled, the power save indicator will flash which shows that it has stepped into the dormancy state.
18. **Flash head manual motor zoom:** You can adjust the zoom range by setting [+] and [-] key (24, 28, 35, 50, 70, 80, 105mm).
19. **Power switch:** The power of the flash light can be opened or closed by holding this button for 2 seconds.
20. **Power adjustment button:** Adjust the power output by [LEFT][RIGHT] and make fine tuning of the current power button by [UP][DOWN] and [OK] in the middle.

-5-

IV. Installation Instruction

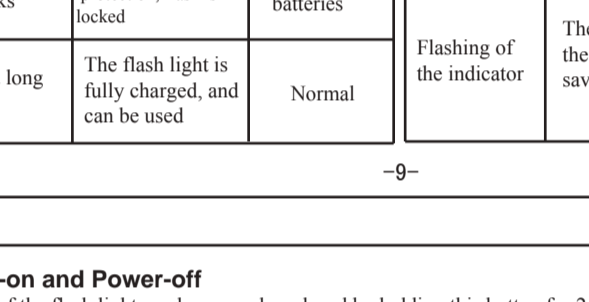
1. Install Batteries

Slide the batteries chamber's cover in the direction of the arrow.
Insert the batteries according to the label inside battery chamber.
Make sure the direction of the batteries' polarity is correct.
Close the battery chamber cover in the direction of the arrow.



2. Mount the speedlite on your camera

Loosen the locking ring by turning it in the direction of the arrow.
Slip the locking hot shoe stand into the camera hot shoe stand until it stops.
Turn the speedlite ring in the direction of the arrow tightens.
To detach the speedlite, loosen the locking ring by turning it in the opposite direction.



-6-

V. Basic Functions

1. Basic Operations

Operation of the buttons:

Component	Operation
[Power Switch]	Power switch of the flash light. The power of the flash light can be opened or closed by holding this button for 2 seconds. It is suggested that the battery shall be taken out after the power of the flash light is closed through this button.
[Mode Switch] Button	The mode of the flash light will be switched among the M/S1/S2 in circle for each press.
[Sound Switch]	Every press can enable or disable the sound indicator. Hold this button for 2 seconds can enable or disable the power saving mode.
[LEFT] and [RIGHT] Button	The output power of the flash light can be adjusted through these buttons.
[UP] and [DOWN] Button and [OK]	You can make a fine tuning to the output power of the flash. After each fine tuning, press the [OK] button to confirm.
[-] ZOOM [+] Button	Please press [-] ZOOM [+] Button, The head focus of the flash light will switch among the (24 / 28 / 35 / 50 / 70 / 80 / 105) in circle for each press.
[PILOT] Button	Press the test and the flash will test flashing in current output level.

-7-

Meaning of [Output control indicator]:

* represents <ON> state of indicator's light,
while 0 represents <OFF> state.

Meaning of [Charging indicator]

State of [Output level indicator]	Output level	Status of [Charging indicator]	Meaning	Operation
* 0 0 0 0 0 0 0 0	1/128	The red light is lit	The flash light is fully charged, and can be used.	Normal
* * 0 0 0 0 0 0 0 0	1/64			
* * * 0 0 0 0 0 0 0 0	1/32	The green light is lit	The flash light has not been fully charged.	If the green light is lit for a long time, replace the batteries.
* * * * 0 0 0 0 0 0 0 0	1/16			
* * * * * 0 0 0 0 0 0 0 0	1/8	The red and green lights blink alternately	The flash light is locked to prevent overheating due to frequent flashing	Wait for about 3 minutes to cool the flash light.
* * * * * * 0 0 0 0 0 0 0 0	1/4			
* * * * * * * 0 0 0 0 0 0 0 0	1/2			
* * * * * * * * 0 0 0 0 0 0 0 0	1/1			

-8-

The meaning of [Sound indicator]

The sound form	Meaning	Operation
Tick twice	a. The sound indicator is enabled; b. The flash is started.	Normal
Tick three times	The flash is in the charging state	Waiting for the completion of charging
Tick four times	The sound switch is closed	Normal
Continuous and quick ticks	The power is not enough or overheating protection, flash is locked	Replace the batteries
Tick—a long sound	The flash light is fully charged, and can be used	Normal

[Power saving indicator] (M Mode)

Display mode	Meaning	Operation
A long-time lighting of the indicator	The power saving mode is closed	Press the [Sound Switch] for a long time to start
A long-time off of the indicator	The power saving mode is started	Press the [Sound Switch] for a long time to close
Flashing of the indicator	The flash is in the power saving state	Press the [power switch] or [PILOT] to awake the flash again

-9-

2. Power-on and Power-off

The power of the flash light can be opened or closed by holding this button for 2 seconds. It is suggested that the battery shall be taken out after the power of the flash light is closed through this button.
After opening the power switch of the flash, the flash will fetch the setting state saved in the closed-down last time, if the charging indicator is green, which indicates the flash is available.
If the charging indicator is not completed within 20 seconds, the flash will automatically shutdown. Then you need to replace with new batteries.
You may press the testing button PILOT to test whether the flash works normally.
After use, hold the power switch for 2S to power off.

3. M Mode

In M mode, you can set the flash output level as you like. By [LEFT][RIGHT], [UP] and [OK] in the middle, you can adjust the flash output level. The adjustment range of the flash output level is 1/128 ~ 1/1. There are 8 levels of output level and each level has 8 fine tuning stalls. The [UP][DOWN] is used to fine tune the output power. The output level is indicated by the output power indicator. For shooting, what you need to set is the flash output level, adjust the camera and press the shutter. The flash will flash with the synchronic signal of the camera.

4. S1/S2 modes
By pressing the [Mode Switch Button], the flash will step into the S1/S2 modes. These two modes are suitable to be used as off-camera auxiliary light, so as to create a variety of lighting effects. They are suitable for manual flash environment and TTL flash environment respectively.
Under these two modes, the way to adjust the output level is like that in M mode, which is to press the [LEFT][RIGHT], [UP][DOWN] and [OK] in the middle. When using S1/S2 mode, you can rotate the flash head to make

-10-

the wireless triggering sensor face with the master light.
When the flash is in S1 mode, it will work with the first work of the master flash synchronously, with the result consistent with the use of radio slave. To use this mode correctly, the master flash should be set at manual flash and the TTL flash system with preflash function and the red-reduction function with multiple flashes should not be used.
S2 mode: It is also called "pre-flash cancel mode". This mode is similar with S1 mode, but it can neglect the pre-flash given by TTL flash. Therefore, it can support the main flash working in TTL mode. In particular, if S1 mode cannot flash correctly and synchronously with your internal flash, you can try to use S2 mode.
The following situation shall be avoided when the S1 and S2 modes are used: the red eye reduction function of the main light is used; the order mode (Nikon) or wireless mode (Canon) of the main light is used; the ST-E2 is used as the master flash, triggered by hot shoe at the same time.

5. Test Flasher

Whether in any mode, you can press PILOT button to test if the flash light flashes normally.
When testing the flash, the flash will give flash at relevant output level in accordance with the chosen output power setting.

6. Power saving mode

YONGNUO designs the power saving mode for YN560. This mode is enabled or disabled by a long press of [Sound Switch]. In M mode, if the power saving mode is enabled, the flash keeps idle for 3 minutes and then it will step into the dormancy state in order to save power. You can press [PILOT] or [Power Switch] to awake the flash to continue operation. It will automatically shutdown after keeping idle for 15 minutes. If you disabled the power saving mode, the power saving indicator will be on. The flash won't step into the dormancy state after being stopped. It will automatically shut down after 30 minutes.

-11-

In mode S1/S2, if the power saving mode is enabled, the flash will automatically shut down after keeping idle for 30 minutes; if the power saving mode is disabled, the flash will automatically shut down after keeping idle for 60 minutes.

Flash mode	Power saving mode [ON]	Power saving mode [OFF]
M mode	Keeping idle for 3 minutes will enter the dormancy mode and 15 minutes will automatically shut down the machine	No dormancy, the machine will be automatically shut down after keeping idle for 30 minutes
S1/S2 mode	Keeping idle for 3 minutes will enter the dormancy mode and 30 minutes will automatically shut down the machine	No dormancy, the machine will be automatically shut down after keeping idle for 60 minutes

7. Overheating protection

If the flash light is used too frequently, its overheating protection function will be triggered, the red and green lights of the charging indicator will blink alternately, and the flash light will be locked. In such case, please wait for about three minutes to cancel the protection before continuing the use. Please try to use the 1/4 output or lower when rapid shooting is needed to prevent the effect on the shooting.

-12-

8. Manually set the zooming position

By pressing [-] ZOOM [+], you can manually set the zooming position. Pressing [+] and [-], the covered focal length of the flash will switch in circle of (24 / 28 / 35 / 50 / 70 / 80 / 105mm).
In setting the flash zooming position, the indicator in the operational panel will indicate the current position. The focal length showed by the displayed position can be found in the table below:
* represents <ON> state of indicator's light, while 0 represents <OFF> state.

Application of ZOOM to set the zooming position	
State of [Output level indicator]	Zooming (mm)
* * 0 0 0 0 0 0 0 0	24
* * * 0 0 0 0 0 0 0 0	28
* * * * 0 0 0 0 0 0 0 0	35
* * * * * 0 0 0 0 0 0 0 0	50
* * * * * * 0 0 0 0 0 0 0 0	70
* * * * * * * 0 0 0 0 0 0 0 0	80
* * * * * * * * 0 0 0 0 0 0 0 0	105

-13-

9. Sound indicator

Under the condition that the sound indicator is enabled, the flash will give different sounds to indicate its working situations. The meanings of the sounds can be found in the table below:

The sound form	Meaning	Operation
Tick twice	a. The sound indicator is enabled; b. The flash is started.	Normal
Tick three times	The flash is in the charging state	Waiting for the completion of charging
Tick four times	The sound switch is closed	Normal
Continuous and quick ticks	The power is not enough or overheating protection, flash is locked	Replace the batteries
Tick—a long sound	The flash light is fully charged, and can be used	Normal

10. PC synchronous port (for input)

By connecting to the PC synchronous port, you can make the flash synchronously. Please note that this PC synchronous port only receives synchronous signal input without supporting synchronous signal output.

11. Automatic setting saving

The flash will automatically save the current settings in order to let you have a simpler use next time after boot.

-14-

VI. The Advanced Application

1. The fine tuning function of output power

YN560 has the fine tuning function of output power. You can do more nice adjustment to the flash output with this function.
Under the condition of using the [LEFT] and [RIGHT] button to adjust the output value of power, if you press [UP] and [DOWN] to make the adjustment, the fourth light of the output power indicators will light and flash and then the flash will step into the power fine tuning state. Then you can fine tune the power output of the flash by [UP] and [DOWN]. The step size is 1/8ev, so you can achieve more elaborate exposure control.
Pressing the [OK] button to exit this state, or it will automatically exit after keeping idle for 15 seconds.
In the fine tuning of the output power, the fine tuning values indicated by the relevant indicators are shown in the following picture:

2. Multi-flash Lighting Application

Use inbuilt flash and pop-up-mounted flash as master flash.
Place speedlite in different directions.

-15-

In outdoor application, radio signals can be reflected by walls; therefore, the placement of the slave flash should have more space.
Do not place of the slave flash, test whether S1/S2 can be synchronous normally.
Before placing any obstacles between the host flash and the slave flash, because they may block the transmission of radio signals.
In radio flash mode (S1 or S2), if the flash is idle for 30min, it will power off automatically in order to save power.
The improved wireless triggering sensor's sensitivity is higher, which makes S1/S2 modes be available in outdoor state. The wireless triggering distance is as long as 15m. When it is used outdoor, please keep in mind the following tips: the wireless triggering window needs to face the master flash and the direct sunlight shall be avoided. If these demands conflict with your hoped direction of light irradiation, please try to rotate the flash head in each direction in order to meet the shooting demands.

3. Buttons are effective immediately

For this flash, you can get the fastest operation speed. Just press the correspondent buttons for its corresponding functions in the current state will be effective immediately, including the power switch, the test of flash output, mode switch, adjustment of output power, zooming, sound switch and etc.

4. The use of external charging box

By using YONGNUO external charging boxes like SF-18C or SF-17C and connect it to the charging port of the flash. After flash, the charging box will charge the flash.

5. High-speed continuous shooting

The flash can realize the high-speed continuous shooting function. Please set the camera in the continuous shooting form and then shoot. Please note: The number of photos that can be continuous shot is related with the output level. Please use the fully charged battery.

-16-

6. Rear-curtain Sync

You can use slow-speed shutter to produce trailing smear for the object and the flash light will flash at the moment when the shutter is going to be shut, which means the rear-curtain sync function. (The rear-curtain sync function needs the camera's own support and you can refer to the camera's instruction book for its setting method).

7. Reflection Flash

Bounce flash means to take photos by making flash light head aimed at wall or ceiling and using the light reflected back from the ceiling or wall to light the desired object, so that the shadow behind the object can be decreased to get more natural shooting effect.
If the wall or ceiling is too far, the bounce flash may be too weak to get enough exposure. The wall or ceiling should be even and white in order to get efficient reflection; if the reflection surface is not white, color cast may appear in photo.

8. Use Reflection Board to Take Photos

With the reflection board flash, draw the reflection board and the wide-angle diffusion board out from the light head at the same time and then push the wide-angle diffusion board back. In such case, if this product is being used to take photos, it will produce a highlighted point on the eyes of the subject and thus make the eyes charming (catch light). This function can reach optimal effect when the flasher head is up 90°.

-17-

9. Use Wide-angle Diffuser

Pull out the wide-angle diffuser board, push back the reflection board and arrange them as per the figure; in such case, the flash scopes will extend to 18 mm and the flash effect will be softer and more natural.

-18-

VII. Specifications

Circuit design	Insulated Gate Bipolar Transistor (IGBT)
Guide No.	58 (ISO 100, 105mm)
Flash mode	M, S1, S2
Zoom range	24, 28, 35, 50, 70, 80, 105mm
Vertical rotation angle	-7~90 degrees
Horizontal rotation angle	4~270 degrees
Power supply	4 AA-size batteries (Alkaline or Ni-MH are usable)
Lighting times	100~1500 times (AA alkaline cell used)
Recycle time	approx 3s (AA alkaline cell used)
Color temperature	5600K
Flash time	1/200s~1/20000s
Flash control	8 levels of output control (1/128~1/1), 57 levels of fine tuning
External interface	hot shoe, PC port and external charging port
Wireless triggering distance	20~30m indoor, 10~15m outdoor
Additional features	The electronic flash head zooming, sound indicator, automatically saving setting, PC port, power saving mode and over heat protection
Dimensions	60~190*78mm (Extended state)
Net weight	350g
Accessories	Flash light (1), protecting bag (1), mini stand (1) and manual (1)

-19-

Guide Number of different focal length range (at ISO 100, in meters / feet)								
Flash Output	Flash Coverage (mm)							
	14	24	28	35	50	70	80	105
1/1	15/49.2	28/91.9	30/98.4	39/127.9	42/137.8	50/164	53/173.9	58/190.3
1/2	10.6/34.8	19.8/65	21.2/69.6	27.6/90.7	29.7/97.4	35.4/116.1	37.5/123	41/134.5
1/4	7.5/24.6	14/45.9	15/49.2	19.5/64	21/68.9	25/82	26.5/86.9	29/95.1
1/8	5.3/17.4	9.9/32.5	10.6/34.8	13.7/45.2	14.8/48.6	17.7/58.1	18.7/61.4	20.5/67.3
1/16	3.8/12.5	7/23	7.5/24.6	9.7/32	10.5/34.4	12.5/41	13.3/43.6	14.5/47.6
1/32	2.7/8.9	4.9/16.1	5.3/17.4	6.9/22.7	7.4/24.3	8.8/28.9	9.4/30.8	10.3/33.8
1/64	1.9/6.2	3.5/11.5	3.8/12.5	4.9/16	5.3/17.4	6.3/20.7	6.6/21.7	7.3/24
1/128	1.3/4.3	2.5/8.2	2.7/8.9	3.5/11.4	3.7/12.1	4.4/14.4	4.7/15.4	5.1/16.7

-20-

VIII. Possible problems during use and solutions

1. Please note when use the flash outdoors: For outdoor application, please avoid direct sunlight to the wireless triggering sensor and ensure normal use of the flash.
2. Prevention for outdoor use of lambency umbrella: The lambency umbrella mounted on the flash light outdoors may be blown down easily, and